

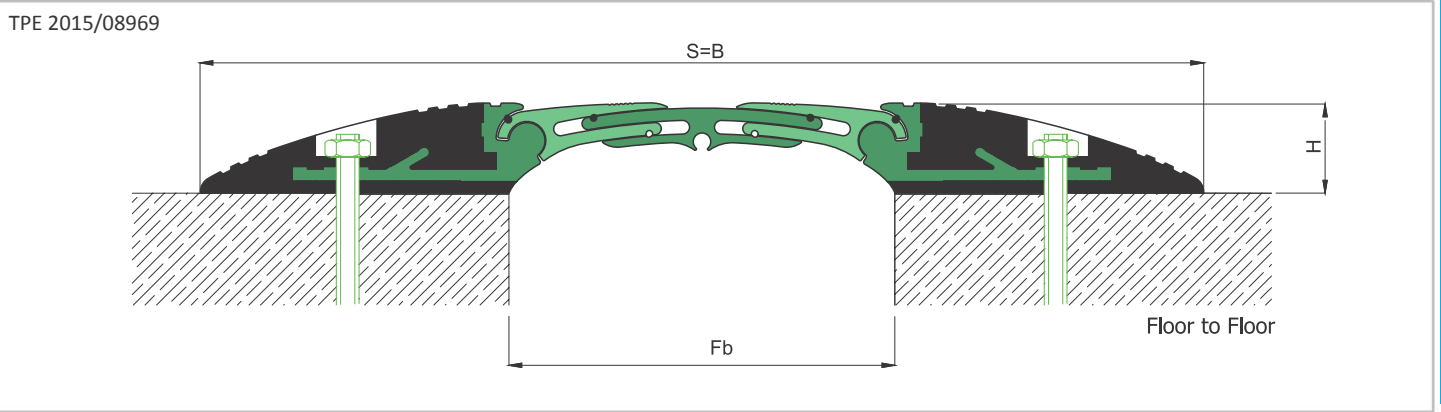
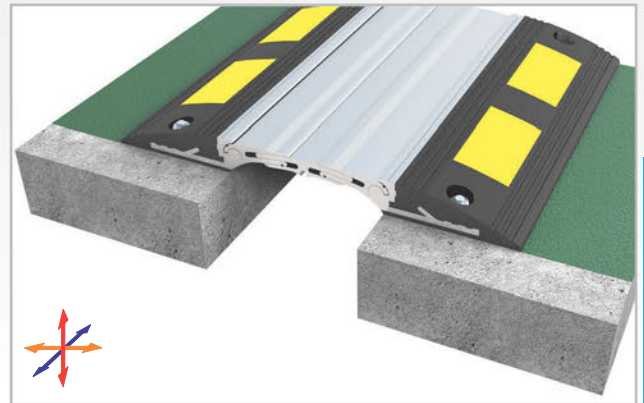
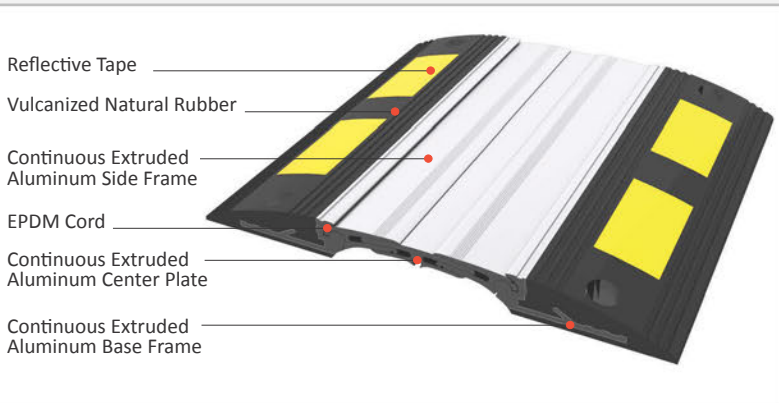


AS U274 heavy duty floor profile functions as a speed bump as well as an expansion joint and is designed for places with heavy vehicular traffic. It's a combination of Asteknik's patented profile AS A263 and natural rubber. Natural Rubber hot-pressed on the aluminum profile by vulcanization process. Hinged & sliding profile design enables to meet the displacements in 3 directions. EPDM cords placed between cover and middle plates tighten the plates and eliminate metal stroking noise during the transmission of vehicles. Reflective tapes fixed on the profile lead the drivers for a safe transmission in dark areas. Profile can easily be installed by means of steel anchors.

- Application Areas** : Outdoor / Floor  
**Ideal for** : Car Parks, All Places with Vehicular Traffic & Heavy Rolling Loads  
**Material** : Mill Finish Aluminum (Anodizing optional), Vulcanized Natural Rubber, EPDM Cord  
**Aluminum Alloy** : 6063 AA-USA / EN AW 6063  
**Optional Supplies** : Fire Barrier, Waterproof EPDM membrane

**Vulcanized Natural Rubber Physical Properties**

Hardness Shore A	74
Tensile strength	167 kg / cm <sup>2</sup>
Elongation at break	385%
Tearing strength	74 kg / cm <sup>2</sup>
Compression set 22 hrs@ 60°	23 %

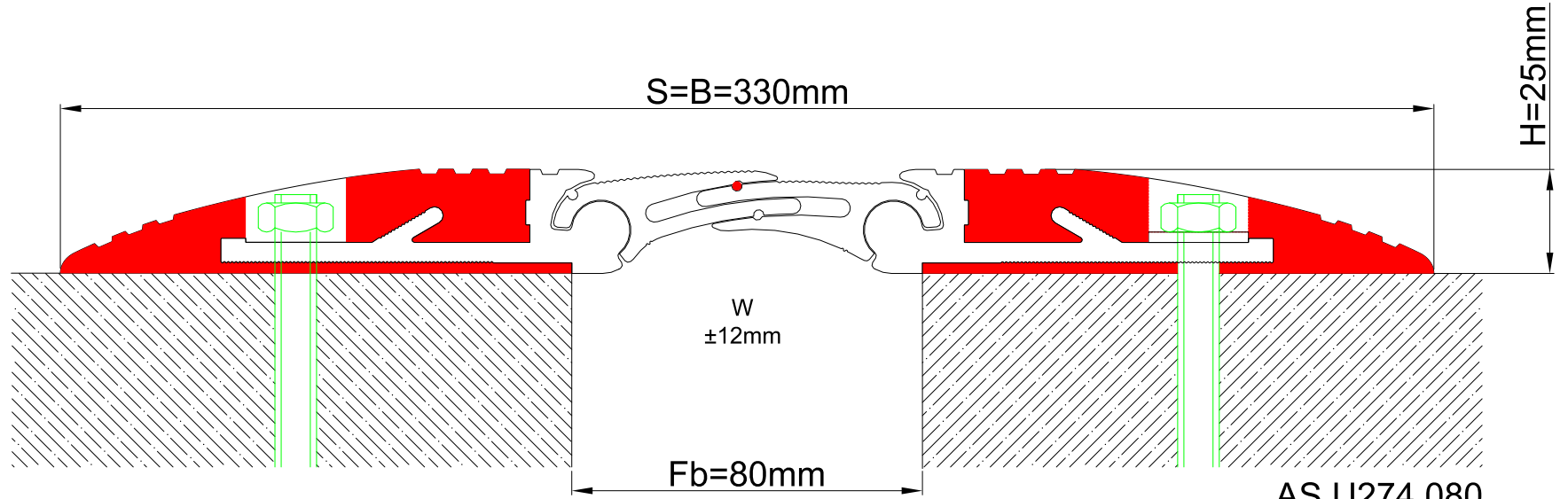


\* Visuals are representative and the profile configuration may differ depending on the characteristics requested.


RUBBER COLOR **BLACK**

LOCATION	MODEL	GAP (Fb) mm	HEIGHT (H) MM	OVERALL WIDTH (B) mm	VISIBLE WIDTH (S) mm	MOVEMENT (W) mm	LOAD CAPACITY	STANDARD LENGTH (mt)
Floor to Floor	AS U274-080	80	25 / 35	324	324	± 12	70 kN  600 kN	2
	AS U274-100	100	25 / 35	340	340	± 12	70 kN  600 kN	2
	AS U274-120	120	25 / 35	364	364	+22 / -12	35 kN  300 kN	2
	AS U274-150	150	25 / 35	390	390	± 22	25 kN  120 kN	2

Note: Please ask for different sizes



AS U274 080  
H25V

Profil No Profile Number	AS U274 080
Fb (mm)	80
H (mm) yaklaşık approx.	25
W± (mm) yaklaşık approx.	±12
Renk Color	Alüminyum: Natürel, Kauçuk: Siyah Aluminum: Natural, Rubber: Black
Malzeme Material	Alüminyum, Vulkanize Doğal Kauçuk Aluminum, Vulcanize Natural Rubber
Standart Uzunluk (m) Standard Length (m)	2
Yükleme Kapasitesi Load - Bearing Capacity	70 kN  600kN 